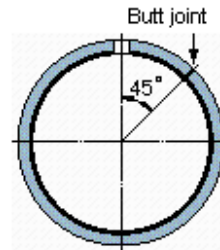
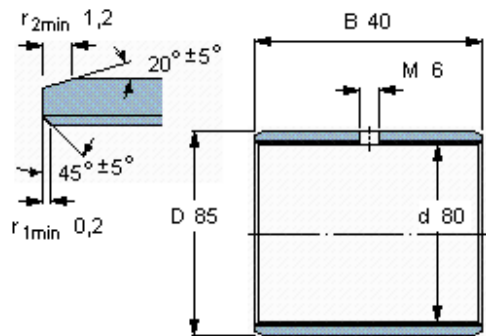


Composite dry sliding bushings, metric dimensions

| Principal dimensions |    |    | Basic load ratings |              | Mass | Designation  |
|----------------------|----|----|--------------------|--------------|------|--------------|
| d                    | D  | B  | dynamic<br>C       | static<br>C0 | kg   | -            |
| mm                   |    |    | kN                 |              |      |              |
| <b>80</b>            | 85 | 40 | 375                | 780          | 0,18 | PCM 808540 M |



**Specific load factor** K 120  
**Material constant**  $K_M$  1900